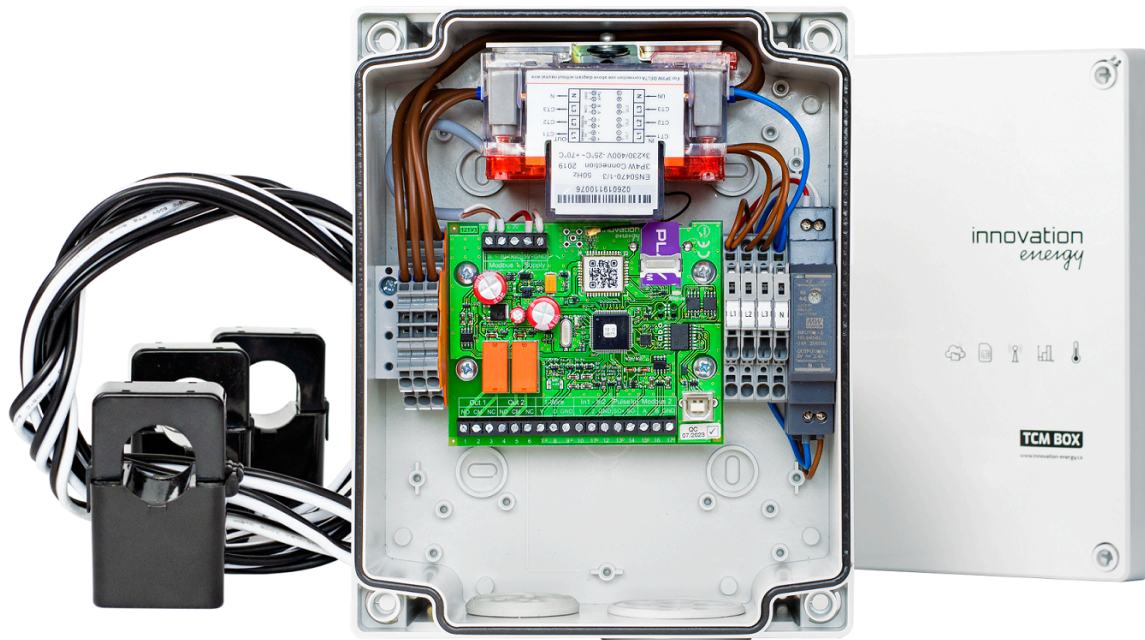


Electric Energy Monitor TCM BOX 1P



Device description

Electric energy monitor TCM BOX 1P allows for energy monitoring with Innovation Energy panel. It allows to measure and analyse usage of energy. Device is equipped with energy meter with MID certificate, GSM module with SIM card and antenna and telemetric module. With every device comes set of 3 current transformers with cores that can be opened. It is possible to integrate system with other energy meters.

Features

Cloud

Data analysis may be performed anywhere with internet connection. It can be with PC, tablet or smartphone.

Simple setup

Current transformers with openable cores allows for quick and easy setup of the device.

Digital temperature measurement

Device allows for connection up to 10 temperature sensors.

Controlling other devices

With outputs and inputs it is possible to control other systems, ie. heating or lighting.

Local access

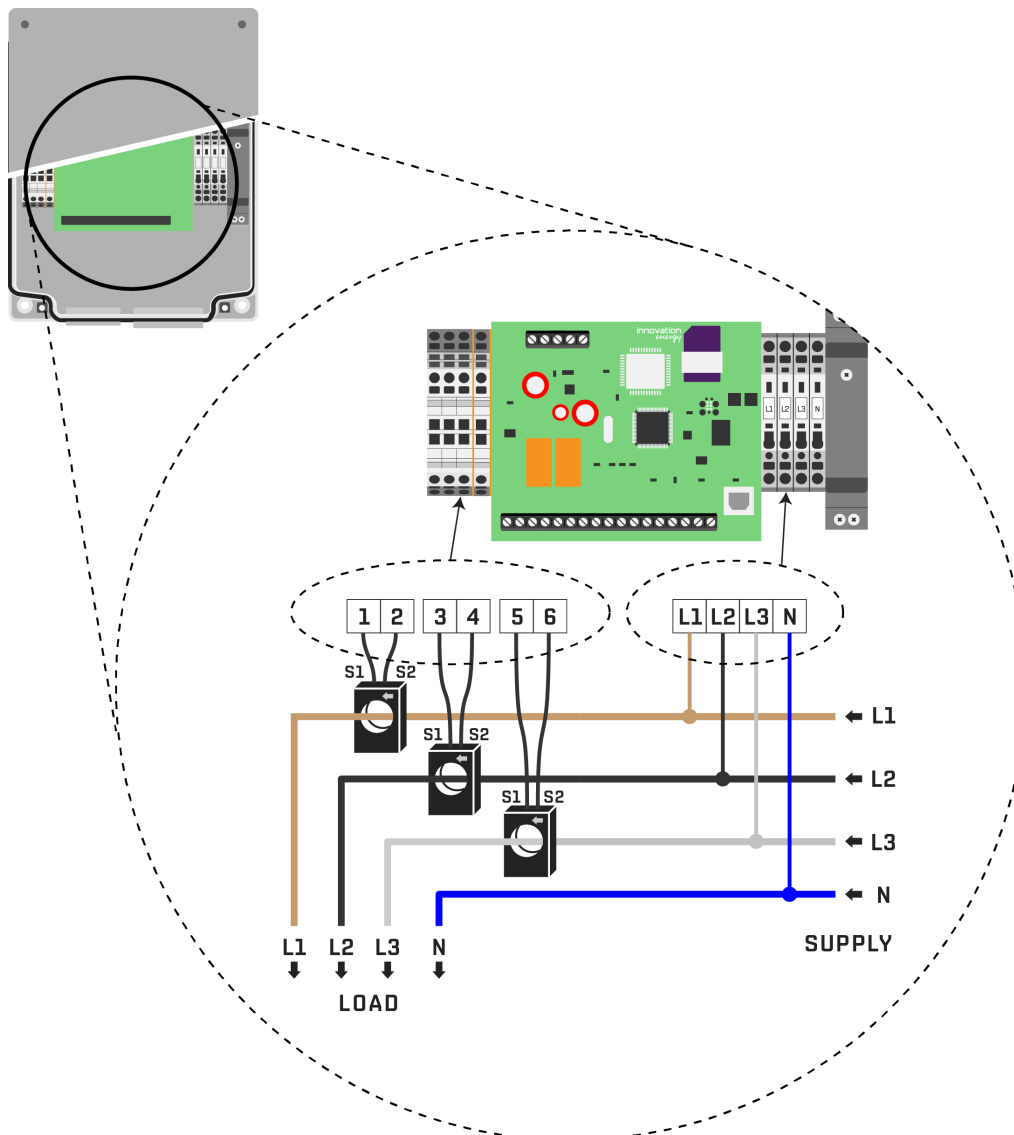
You can connect free application with USB port onboard or use Modbus to read measurements without cloud service involved.

Technical parameters

PARAMETER	VALUE
Power	typ. 15 W, <40 W
Supply voltage	400 V AC \pm 10%
Battery type	CR2032
Interfaces	GSM, Modbus RTU
Accuracy class	1 / MID (B)
Measure inputs	3 x 230 V AC 50 Hz
Inputs	Impulse, digital
Outputs	Relays
Dimensions	191x245x108 mm
Weight [without transformers]	1,4 kg



Typical device connection scheme



Available device versions

Version	Current [A]	Internal transformer diameter [mm]
TCM BOX 1P 150-24	150	24
TCM BOX 1P 200-24	200	24
TCM BOX 1P 250-24	250	24
TCM BOX 1P 200-36	200	36
TCM BOX-1P 250-36	250	36
TCM BOX 1P 300-36	300	36
TCM BOX 1P 400-36	400	36